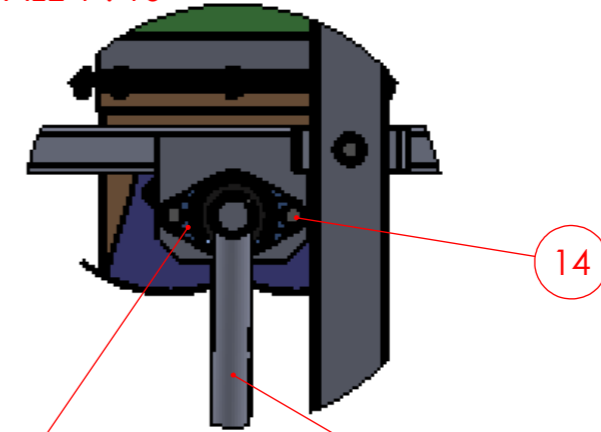
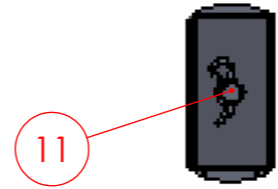


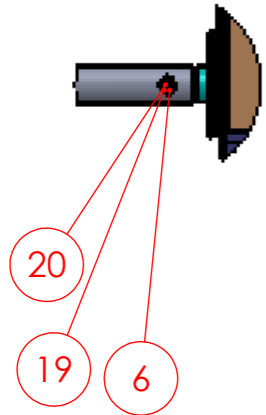
DETAIL C  
SCALE 1 : 10



DETAIL D  
SCALE 1 : 10



DETAIL E  
SCALE 1 : 10



TYÖNUMERO:		Mittak. 1:100 A3	Paino 1121.18	Lkm
Existing law protects HABA's right of possession to this drawing. The design or the drawing must not, without permission of the company, be published, copied, reproduced, manufactured or exploited in any other unauthorized way.		Pvm 2.10.2013	Nimi AoK	SIILO 10m3
TOLERANCES ISO 2768-m EN ISO 13920-BE I I B SFS 4072				
<b>HABA</b>		 ISSUE		KOK_03161
				Sivu 1/2 s.